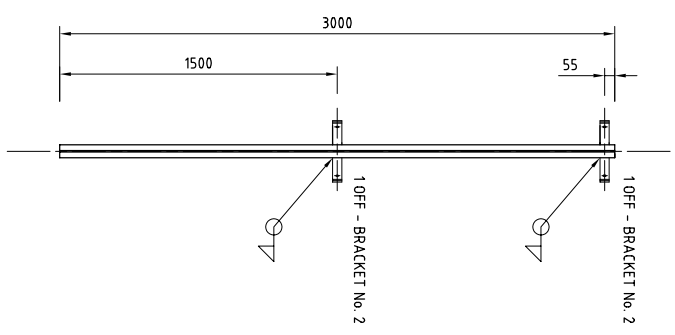


**PART No. 1**  
NO. OFF - 3

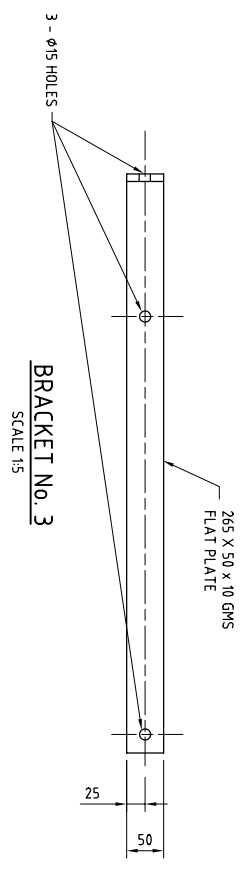
**14 m STEEL SUPPORT PIECE**  
SCALE 1:20

**PART No. 2**  
NO. OFF - 1

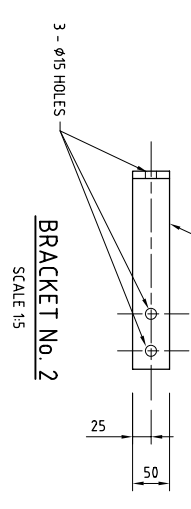


**PART No. 3**  
NO. OFF - 4

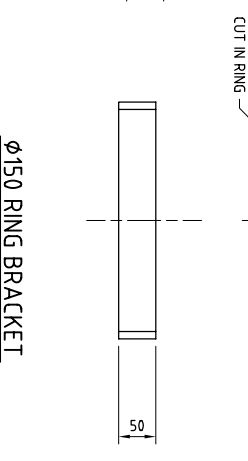
**18 m EXTENSION PIECE**  
SCALE 1:20



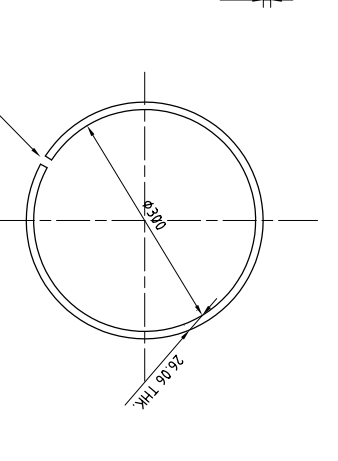
**BRACKET No. 1**  
SCALE 1:5



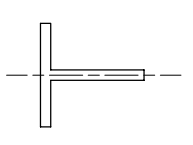
**BRACKET No. 2**  
SCALE 1:5



**BRACKET No. 3**  
SCALE 1:5



**Ø150 RING BRACKET**  
SCALE 1:5



**DETAIL 'T' IRON**  
70 X 70 X 7 TEE SECTION

- NOTES**
1. ALL DIMENSIONS IN MILLIMETERS UNLESS OTHERWISE NOTED
  2. VENT TUBE SUPPORT LEGS TO BE 70 X 70 X 8 GALVANISED 'T' IRON.
  3. STEEL SUPPORTS & BRACKETS TO BE HOT DIPPED GALVANISED AND COATED AS PER PCS109.
  4. ALL WELDS TO BE 7 SILICON BRONZE FULL DEPTH TO AS 1167.
  5. ALL BOLTS TO BE 304 SS 1/2" - UNC X 2 1/2" HEXAGON SET SCREWS AND SS WASHERS OR METRIC EQUIVALENT.