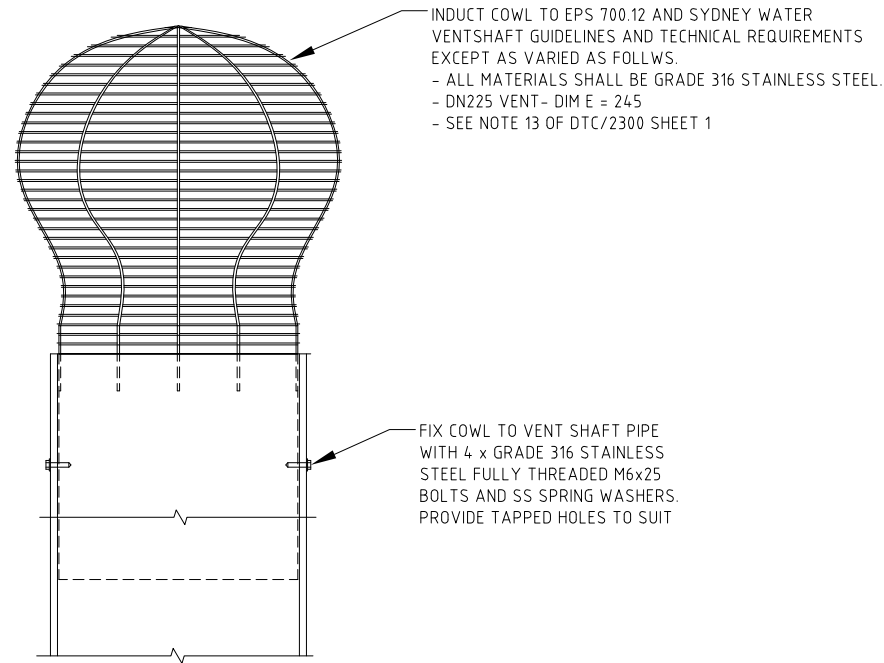
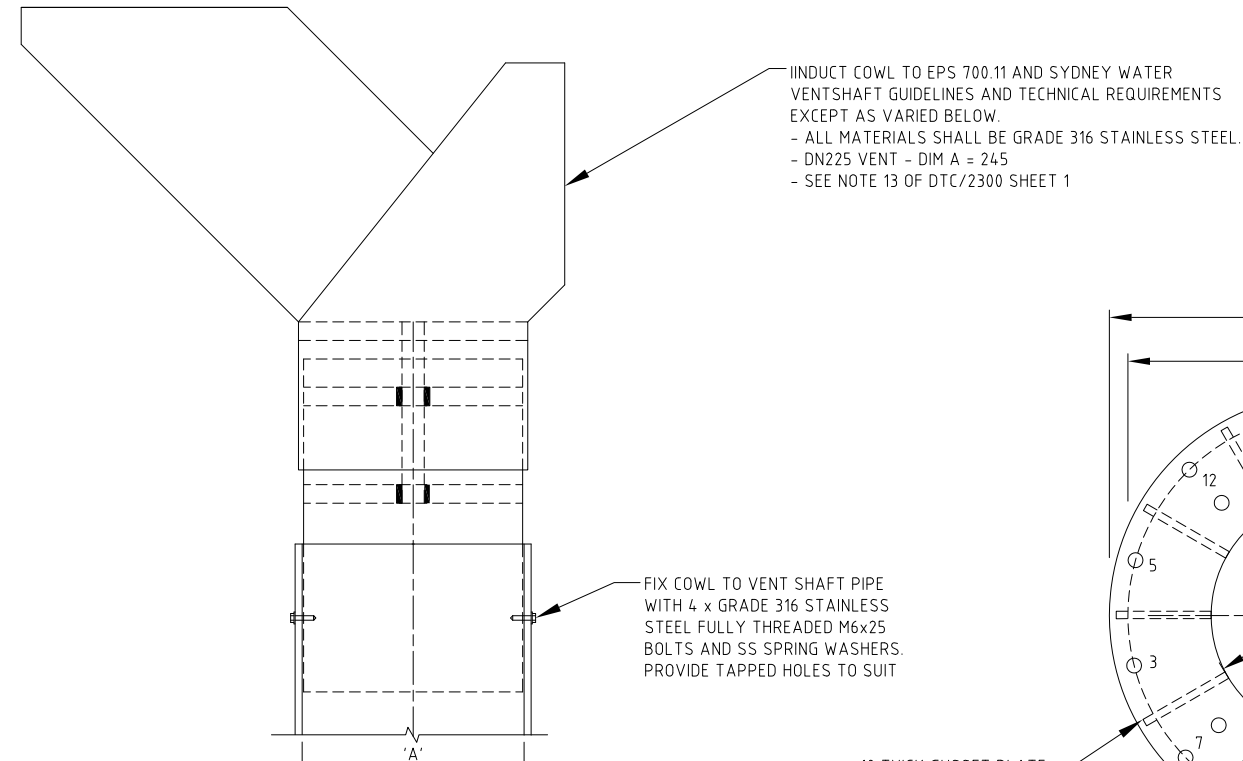


NOTES:

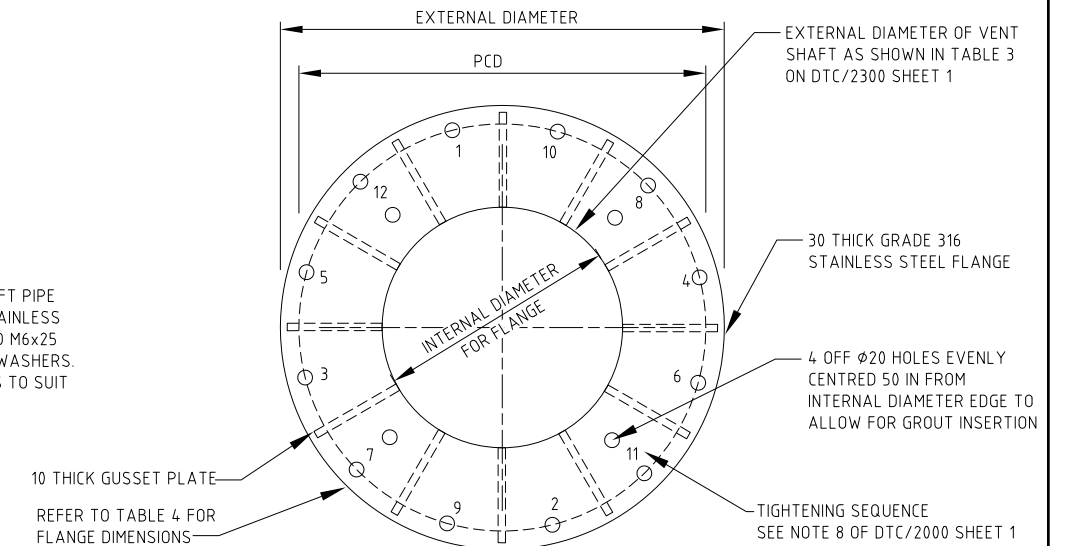
- THIS DRAWING SHALL BE READ IN IN CONJUNCTION WITH DEEMED TO COMPLY DRAWING DTC/2300 SHEET 1.



ELEVATION  
EDUCT COWL  
SCALE 1:5

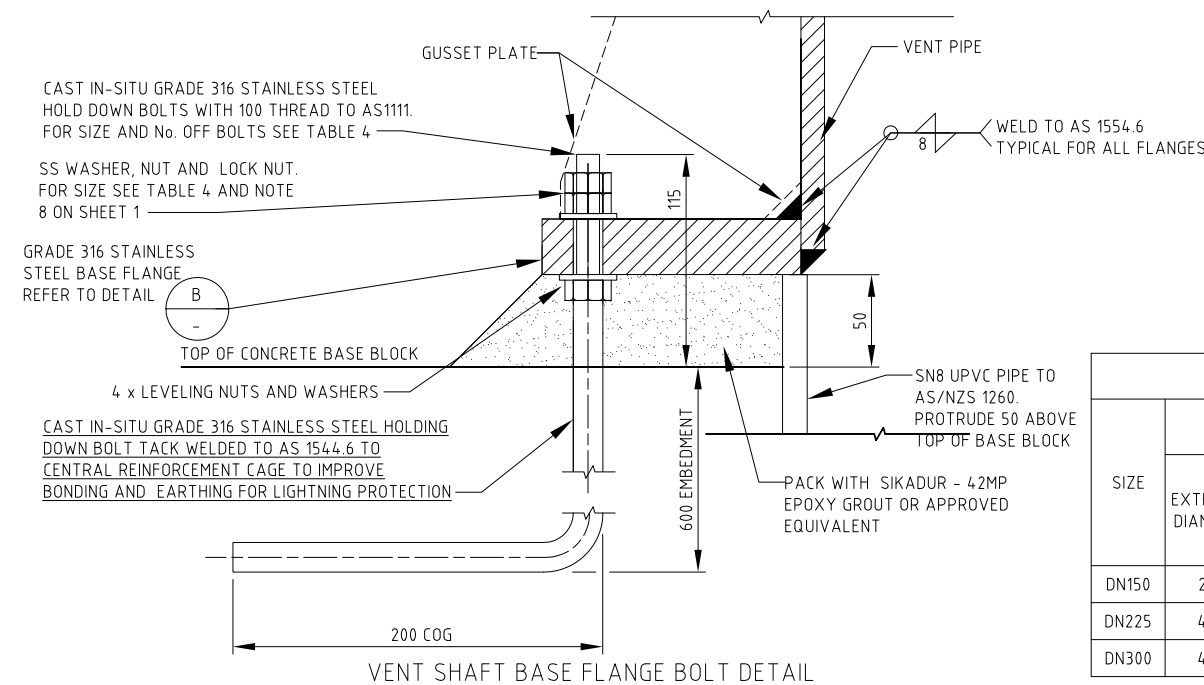


REFER TO TABLE 3 FOR DIMENSIONS  
ROTABLE INDUCT COWL DETAIL  
SCALE 1:5



VENT SHAFT BASE FLANGE

DETAIL C  
SCALE 1:5

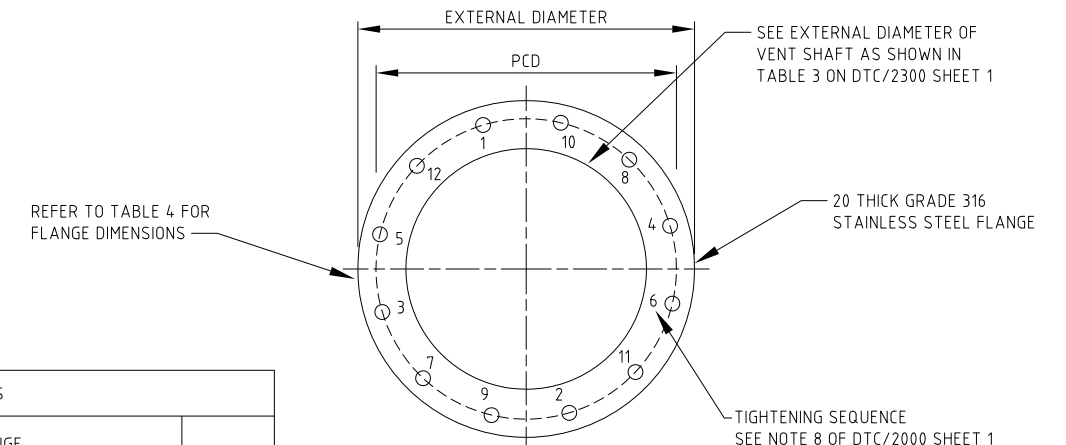


VENT SHAFT BASE FLANGE BOLT DETAIL

DETAIL D  
SCALE 1:2

TABLE 4 - UPPER FLANGE AND BASE FLANGE DIMENSIONS

SIZE	UPPER FLANGE				BASE FLANGE				INTERNAL DIAMETER
	EXTERNAL DIAMETER	PITCH CIRCLE DIAMETER (PCD)	BOLTS No. OFF AND SIZE	DIAMETER OF BOLT HOLES	EXTERNAL DIAMETER	PITCH CIRCLE DIAMETER (PCD)	BOLTS No. OFF AND SIZE	DIAMETER OF BOLT HOLES	
DN150	280	235	8/M16	18	460	400	12/M20	24	170.5
DN225	405	356	8/M20	22	575	500	12/M24	28	275.0
DN300	455	406	12/M20	22	625	550	16/M24	28	325.0



VENT SHAFT UPPER FLANGE  
(NOT REQUIRED FOR DN150 VENT SHAFTS)

DETAIL B  
SCALE 1:5

LETTER	DETAILS OF ISSUE / AMENDMENT	APP'D	DATE
C	APPLICABLE HEIGHT RANGE AMENDED	RL	16/04/13
B	DRAWING No. CHANGED. GENERAL REVISION	RL	01/03/13
A	FINAL ISSUE	PJG	21/12/12