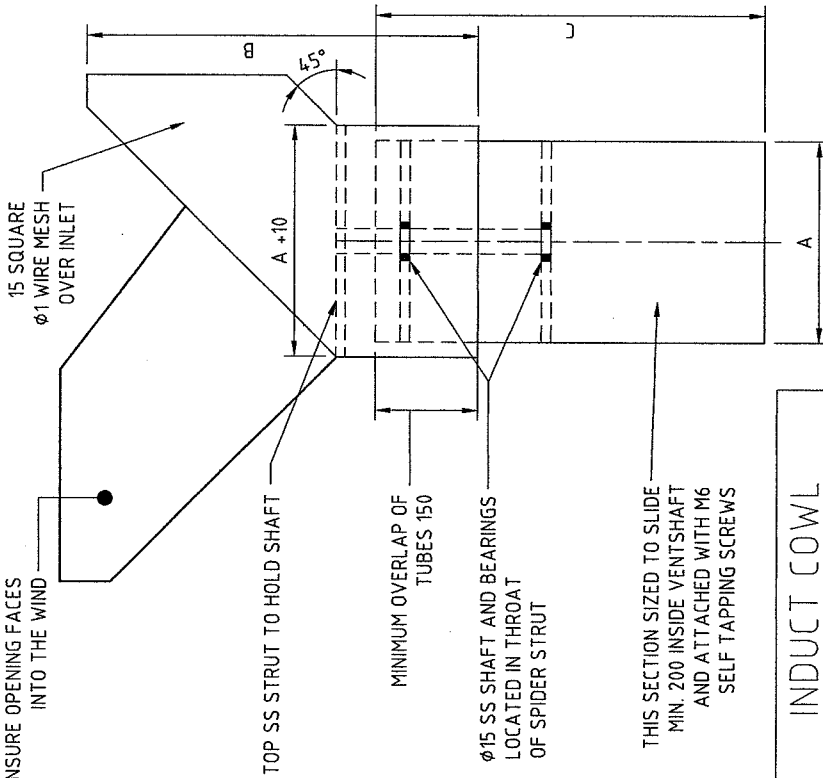


INDUCT COWL

AERODYNAMICALLY
DESIGNED WIND VANE
TO ENSURE OPENING FACES
INTO THE WIND



THIS SECTION SIZED TO SLIDE
MIN. 200 INSIDE VENTSHAFT
AND ATTACHED WITH M6
SELF TAPPING SCREWS

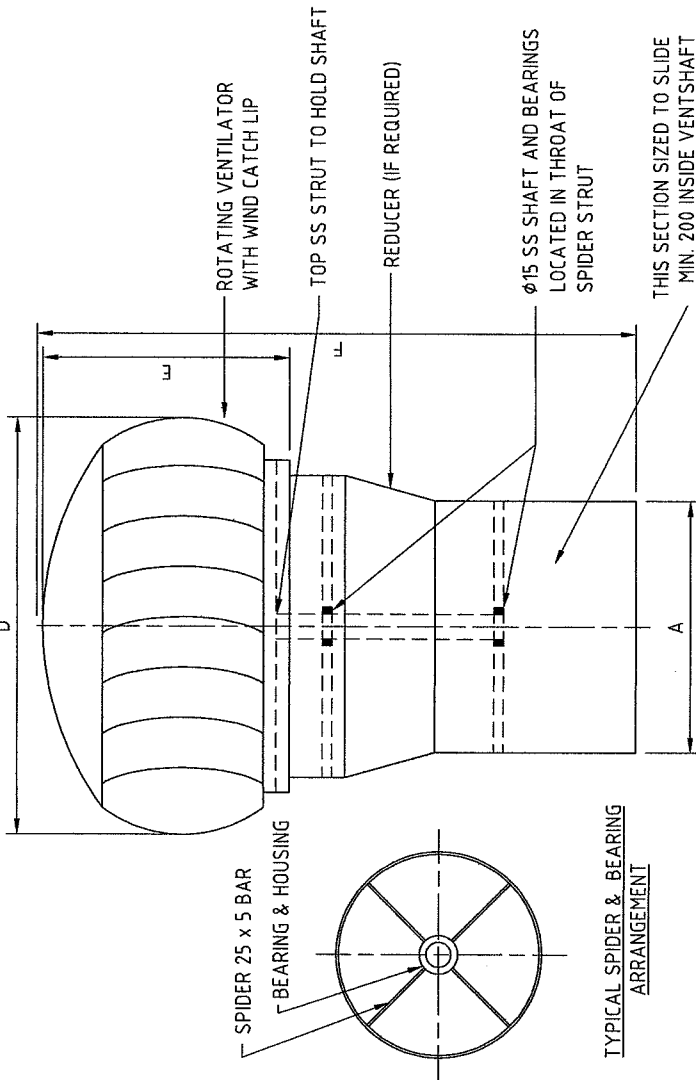
INDUCT COWL			
NOM SIZE	DIM A	DIM B	DIM C
150	145	320	250
225	220	480	350
300	300	600	400

PREPARED BY
**ASSET
MANAGEMENT**

RECOMMENDED
Eliza
for WASTEWATER SYSTEMS MANAGER
APPROVED
B. Nelson 12/04/05
for MANAGER, STRATEGIC ASSET MANAGEMENT

© COPYRIGHT

ROTATING EDUCT COWL



NOTES

1. ALL DIMENSIONS IN MILLIMETRES.
2. ALL MATERIALS TO BE 304 SS UNLESS OTHERWISE SPECIFIED.
3. ALL METAL SURFACES TO BE COATED IN ACCORDANCE WITH PCS109.
4. ROTATING SHAFTS TO BE SS.
5. BEARINGS TO BE N 308SS
6. ROTOR VENTILATION BLADES TO BE ALUMINIUM OR UV INHIBITED ABS POLYCARBONATE.

ROTATING COWL			
NOM SIZE	DIM D	DIM E	Dim F
150	230	220	540
225	320	340	640
300	480	470	820

ENGINEERING PRODUCT SPECIFICATION

VENTILATION SYSTEMS
INDUCT / EDUCT VENTSHAFTS
ROTATING COWL DETAILS

Sydney
WATER

Sydney **WATER**

EPS 700.11

ISSUED: 2005 | VERSION 1