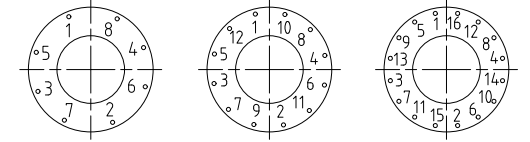
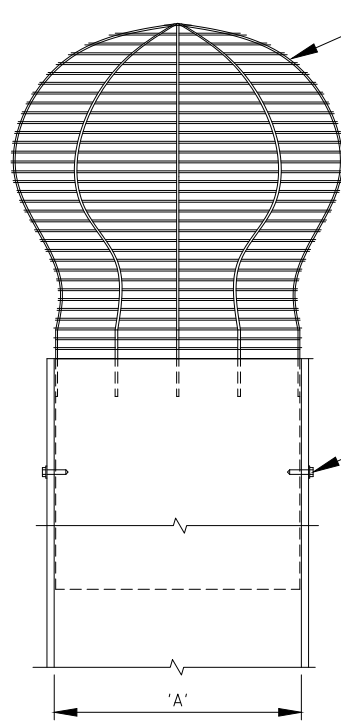


- NOTES:
- THIS DRAWING SHALL BE READ IN CONJUNCTION WITH DEEMED TO COMPLY DRAWING DTC/2300 SHEET 1.
  - BOLTS SHALL BE TIGHTENED USING A TORQUE WRENCH IN THE TIGHTENING SEQUENCE BELOW FOR 8, 12 AND 16 BOLTS. SEQUENCE SHALL BE COMPLETED FIRST FOR 50% AND REPEATED FOR 100% OF FINAL TIGHTENING TORQUE. SEE NOTE 20 ON DTC/2300 SHEET 1 FOR BOLT LUBRICATION REQUIREMENTS.



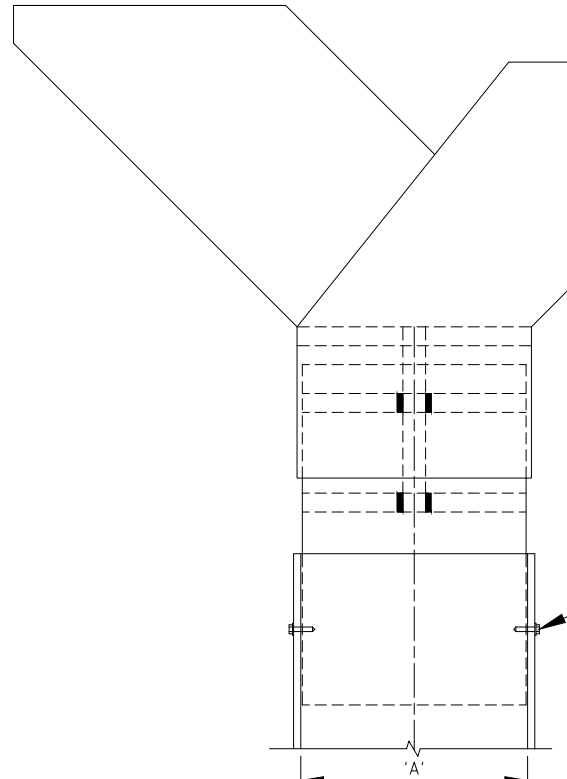
8, 12 AND 16 BOLT TIGHTENING SEQUENCE

INDUCT COWL TO EPS 700.12 AND SYDNEY WATER VENTILATION SHAFT GUIDELINES AND TECHNICAL REQUIREMENTS EXCEPT AS VARIED AS FOLLOWS.  
- ALL MATERIALS SHALL BE GRADE 316 STAINLESS STEEL.  
- DN250 VENT - DIM A = 254  
- SEE NOTE 16 OF DTC/2300 SHEET 1



ELEVATION EDUCT COWL  
SCALE 1:5

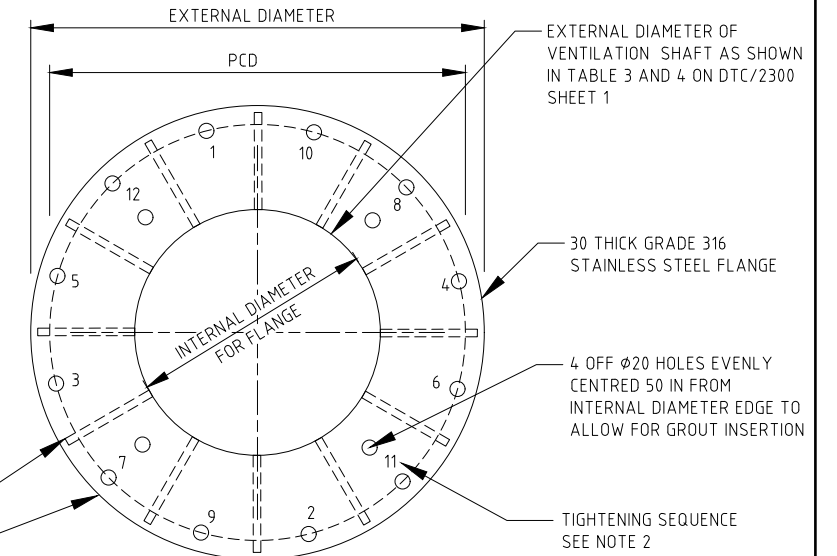
FIX COWL TO VENTILATION SHAFT PIPE WITH 4 x GRADE 316 STAINLESS STEEL FULLY THREADED M6x25 BOLTS AND SS SPRING WASHERS. PROVIDE TAPPED HOLES TO SUIT



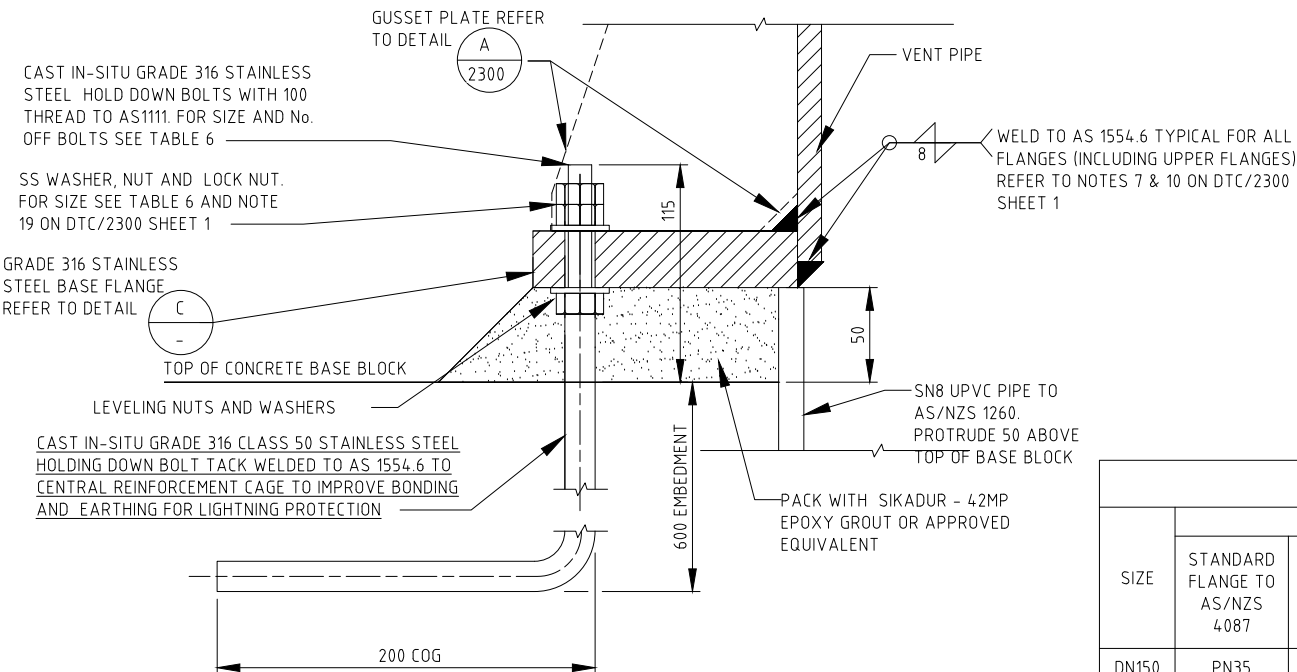
ROTABLE INDUCT COWL DETAIL  
SCALE 1:5

INDUCT COWL TO EPS 700.11 AND SYDNEY WATER VENTILATION SHAFT GUIDELINES AND TECHNICAL REQUIREMENTS EXCEPT AS VARIED BELOW.  
- ALL MATERIALS SHALL BE GRADE 316 STAINLESS STEEL.  
- DN250 VENT - DIM A = 254  
- SEE NOTE 16 OF DTC/2300 SHEET 1

FIX COWL TO VENTILATION SHAFT PIPE WITH 4 x GRADE 316 STAINLESS STEEL FULLY THREADED M6x25 BOLTS AND SS SPRING WASHERS. PROVIDE TAPPED HOLES TO SUIT



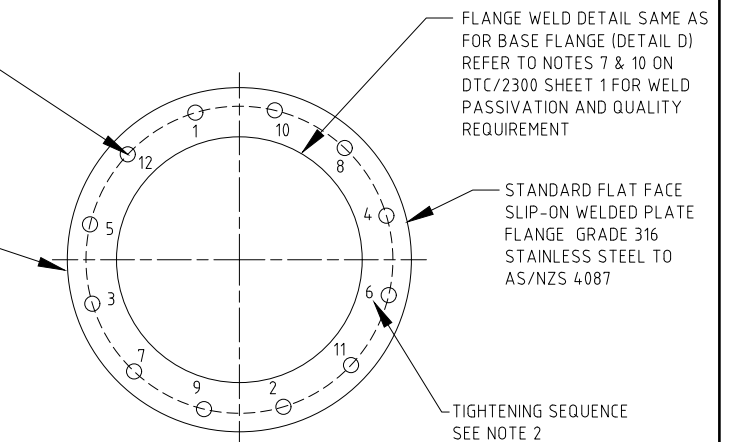
VENTILATION SHAFT BASE FLANGE  
DETAIL C  
SCALE 1:5



VENTILATION SHAFT BASE FLANGE BOLT DETAIL  
DETAIL D  
SCALE 1:2

USE SS WASHER, NUT AND LOCK NUT. FOR SIZE SEE TABLE 6 AND NOTE 19 ON DTC/2300 SHEET 1

REFER TO TABLE 6 FOR FLANGE DETAILS



VENTILATION SHAFT UPPER FLANGES  
DETAIL B  
SCALE 1:5

SIZE	UPPER FLANGE				BASE FLANGE					
	STANDARD FLANGE TO AS/NZS 4087	BOLTS No. OFF AND SIZE	SS BOLT CLASS	TIGHTENING TORQUE SEE NOTE 2 (N.m)	EXTERNAL DIAMETER	PITCH CIRCLE DIAMETER (PCD)	BOLTS No. OFF AND SIZE	DIAMETER OF BOLT HOLES	TIGHTENING TORQUE SEE NOTE 2 (N.m)	INTERNAL DIAMETER
DN150	PN35	8/M20	CLASS 50	100	460	400	12/M20	24	10	170.5
DN250	PN21	8/M20	CLASS 70	100	575	500	12/M24	28	25	275.0
DN300	PN21	12/M20	CLASS 70	100	625	550	16/M24	28	25	325.0

LETTER	DETAILS OF ISSUE / AMENDMENT	APP'D	DATE
D	APPLICABLE HEIGHT RANGE AMENDED. FLANGE CONNECTION CHANGED. GENERAL REVISION	RL	03/11/20
C	APPLICABLE HEIGHT RANGE AMENDED	RL	16/04/13
B	DRAWING No. CHANGED. GENERAL REVISION	RL	01/03/13
A	FINAL ISSUE	PJG	21/12/12